

# Pennsylvania Striker



Dedicated to the preservation, sharing and expansion of the Artist-Blacksmith's skills

May 2026

**Next Meeting Date: Saturday, June 13**

## Brad Gray's - Selingsgrove, PA

PABA members have been invited to visit Brad Gray's shop in Selingsgrove PA. This will be our first time in his neck of the woods. Brad has been a long time PABA member and involved in the Board for several terms. PABA will have Leon Golder as a guest demonstrator at this meeting.

Leon Golder is involved in the New York Designer Blacksmith Southern Tier Region and the current resident Blacksmith at the Cooley Blacksmith Shop at the Heritage Village of the Southern Finger Lakes in Corning NY. Leon was responsible for coordinating the moving and organizing the reconstruction of the entire Cooley Blacksmith Shop to grounds of the Ben Patterson Inn at the Heritage Village. (<https://heritagevillagesfl.org/our-village/>) He was also the recipient of the 2023 recipient grant N Y State Council on Arts for teaching and dissemination traditional trades

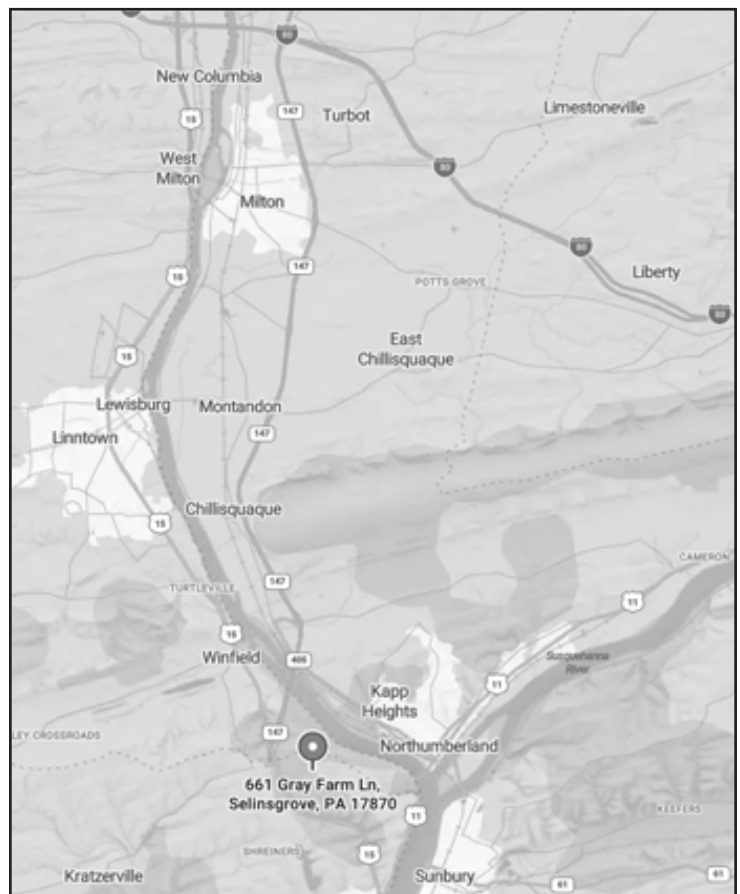
The planned demonstration is for door hardware including Suffolk latch, strap hinges and pintles. Attendees can bring chairs to sit around but bleachers will be inside the inside building. There are several restaurants a few miles away or 10 mi in other direction. The Grays's plan on having something simple available because of that or you may bring something. There are lots of antique, consignment and junk shopping with in a 15 mile radius if you're bringing guests that want other things to do.

### Iron Master of the Day Item: Door Hardware

Address: 661 Gray Farm Ln, Selingsgrove, PA

Follow Rt 15 and turn on Granger Rd. Then look for Gray Farm Ln.

NOTE: There is a lot of road work being done in the area. Please double check your maps based on where you are coming from. (Brad noted that you should go slow if you have low ground clearance or are driving a corvette!) Call if you need assistance 570-743-3905.



## PABA Contacts

### President

Andrew Molinaro  
1023 Old Penfield Rd  
Clearfield, PA 16830  
570-476-7950  
andrew@artisansoftheanvil.com

### Vice President

William Smith  
45 Lisburn Rd  
Wellsville, PA 17365  
717-480-7686  
wsmithpa@aol.com

### Treasurer

Lenka Votrubova  
1023 Old Penfield Rd  
Clearfield, PA 16830

### Secretary

Rick Cooper  
579 E Avondale Rd  
West Grove, PA 19390  
828-380-9170  
rickcooper.nc@gmail.com

### Board Member

Brad Gray  
661 Gray Farm Ln  
Selinsgrove, PA 17870  
570-743-3905  
bgray21@earthlink.net

### Board Member

Paul Huf  
139 Galloping Hill Rd  
Lincoln University, PA 19352  
240-405-8534  
southpawforge@hotmail.com

### Board Member

Steve Ziga  
3035 Meyers Court  
Perkasie, PA 18944  
215-859-2939  
steveziga@comcast.net

### Newsletter Editor

Keith Eckman  
1370 New Danville Pk  
Lancaster, PA 17603  
717-291-0214  
keckman1370@comcast.net

- The Pennsylvania Striker is published bimonthly by the Pennsylvania Artist Blacksmith Association, Inc. (PABA), an affiliate of the Artist Blacksmith Association of North America (ABANA). Unless otherwise noted all text content is by the editor and all artwork is by Mark Smith.

Membership is open to anyone interested in blacksmithing. Dues are \$30 per calendar year. Contact a board member for an application.

- PABA makes every effort to ensure the accuracy of the information contained herein but assumes no liability in case of error or changing conditions. Any business relations or other activities undertaken as a result of information contained herein or arising therefore are the responsibility of the parties involved and not the Pennsylvania Artist- Blacksmith's Association, Inc.

## Committee Leaders

**Iron in the Hat Chairperson** - Gary Rhoads  
*HELPER NEEDED*

**Equipment & Maintenance** - Randy Barlip

**Publication Contact** - Keith Eckman

**Safety Equipment** - Herb Moyer

**ABANA Affiliate Contact** - Doug Learn

**Library** - John Kauffman & Martin Reynolds

**Event Hosting** - Paul Huf

**Facebook Monitor** - Luke Shultz

## -- ABANA News --

### UPCOMING EVENTS

#### 2026 ABANA Conference Bentonville, Arkansas November 11-14, 2026

Location: Benton County Fairgrounds located at 7640 SW Regional Airport Blvd., Bentonville, Arkansas 72712. It is just 4 miles from the Northwest Arkansas National Airport (XNA). The fairgrounds include ample room for parking, 5 acres for tent camping, RV hookups, and plenty of space for all conference activities.

<https://abana.org/2026conference/>

## 2026 ABANA CONFERENCE



**EARLY BIRD PRICING  
THROUGH JULY 31**

# PABA CALENDAR 2026

**August 1** - Dry Road Farm, Wernersville, PA  
**Iron Master of the Day Item:**  
**Sharp Edged Device**

**October 10**- Andrew Molinaro's, Clearfield, PA  
**Iron Master of the Day Item:**  
**Plant Hanger**

**December 12** - Gallery, Paradise, PA  
**Iron Master of the Day Item:**  
**Holiday Item**

## **2026 Forge Fest Blacksmith Gathering 9 July 17-18-19 Reynoldsville PA**

It's official, mark your calendars and don't miss the 2026 Forge Fest in the forest  
More info on the Facebook page.  
<https://www.facebook.com/groups/327758755187201/>

## **The Cambria Iron Conference Inspired by the Past – Forging to the Future September 12, 2026 Center for Metal Arts, Johnstown PA**

Our mission for this space is to make it available for the greater forging community to use as well as appreciate and this annual conference is our first major effort towards that goal. Lots of care and consideration goes into our demonstrator selection process with focus always on safety professionalism. Secondary to that and at the core of what we are trying to accomplish for that space is to facilitate creative large-scale forging.

We hope you will join us this year to celebrate this shop's new life and all of the restoration work CMA has embarked on. It's very exciting to see what all the different sculptors have created in response to the forging possibilities here and the beautiful historically significant environment that is Johnstown, PA. Come join us during our annual gathering to meet and interact with blacksmiths of all walks of life and backgrounds and experience a new artist's interpretation of "industrial arts" in a true sense of the words.

Early Bird Conference Tickets Available now!  
Please follow CMA at [centerformetalarts.org](http://centerformetalarts.org), @centerformetalarts and 814.418.0419 for information on registration.  
<https://centerformetalarts.org/events/conference/>

# UPCOMING EVENTS

**SATURDAY, OCTOBER 3, 2026,  
3:00 – 9:00 P.M.**

**Tickets- \$30 at the gate - under 18 are free.  
Festival of Combustion  
Join Rivers of Steel at the Carrie Blast  
Furnaces!  
801 Carrie Furnace Blvd, Pittsburgh, PA**

Check out demonstrations by blacksmiths, glassblowers, welders, and metal fabricators and more. Get creative with hands-on activities for all. After dark, check out a glowing ceramic reveal, followed by fireworks over the furnaces!

Tours, live music, food trucks, and a makers' marketplace round out the experience. It's a day of fun for everyone!

Start your celebration of industrial arts by viewing a spectacular iron pour, and make sure to check out blacksmithing with Rivers of Steel, glassblowing with Pittsburgh Glass Center, power-hammer forging with the Center for Metal Arts, and welding demonstrations with Patrick Camut Fabrication!

Then get creative with an array of crafts, including carving a scratch mold that's cast in aluminum by Rivers of Steel's metal arts crew. There's also mosaics with The Ruins Projects, jewelry making with Pittsburgh Center for Arts & Media, ceramics with Ton Pottery, a Punk Rock Corner with LIGHT Education Initiative, and more activities with Assemble PGH and Manchester Craftsmen's Guild.

Stop by the Heritage Craft Tent to get hands on with our community partners from Touchstone Center for Crafts, the Bradford House Museum, the Pennsylvania Trolley Museum, Maxo Vanka Murals, and West Overton Village. The Festival is designed to be a day of fun for everyone! Shoppers, check out the makers' marketplace. Explore the site with self-guided tours of the Furnaces and the Iron Garden, our tour guides will be stationed around for riveting conversation. Plus there will be food trucks, a craft beer and cocktail tent, tattoos with KSD Studios, and more. A fireworks display over the Furnaces caps off the night!

*Let PABA know about your events.  
There are a lot of upcoming events that members attend or demo at... Help advertise and show off what you do!*

### **Articles and Shop Tips**

*The Striker is always looking for information to pass onto it's members. Please send the editor any shop tips you may have and if your have a project or an item that you make...*

*Share a "How-To" article with PABA.*

# GoggleWorks Meeting

The weather wasn't kind to the April meeting at the Goggleworks. However we did have a number of members and guests come out and visit our tent.

The Forge Fest & Iron Pour went on rain or shine. Most events were able to be moved inside so people could still enjoy all the activities.



*Randy Barlip*



We have a shiny new banner thanks to our new maintenance & equipment chairperson, Randy Barlip. He was also there early hauling our equipment and setting up for the event!





We had some new members or future new members try making hooks and knife-like items



PABA members made a few different items as demonstrations for the public that braved the weather to watch.



The public tried out making various items with the guidance of our members. The sign-up board suggested by Will Smith was handy and will be used in the future.



A few relatives of Paul Huf's showed up to say hello and try out hammering



*I hear and I forget. I see and I remember. I do and I understand. – Confucius*

Guillotine tools are great things to have in the shop, especially for the smith who has to work alone. For those of you who've never seen one, a guillotine tool is simply a frame that holds a bar of tooling that slides up and down. Jerry Hoffman's Smithing Magician is a good example. But at \$150 for the frame and another \$70-\$90 per set of dies, buying one is a bit pricey [see [Smithing Magician \(blacksmithsupply.com\)](http://SmithingMagician(blacksmithsupply.com))].

Of course you can make one, and there are several plans on the Internet.

For example, I drew this in sketch up (right).

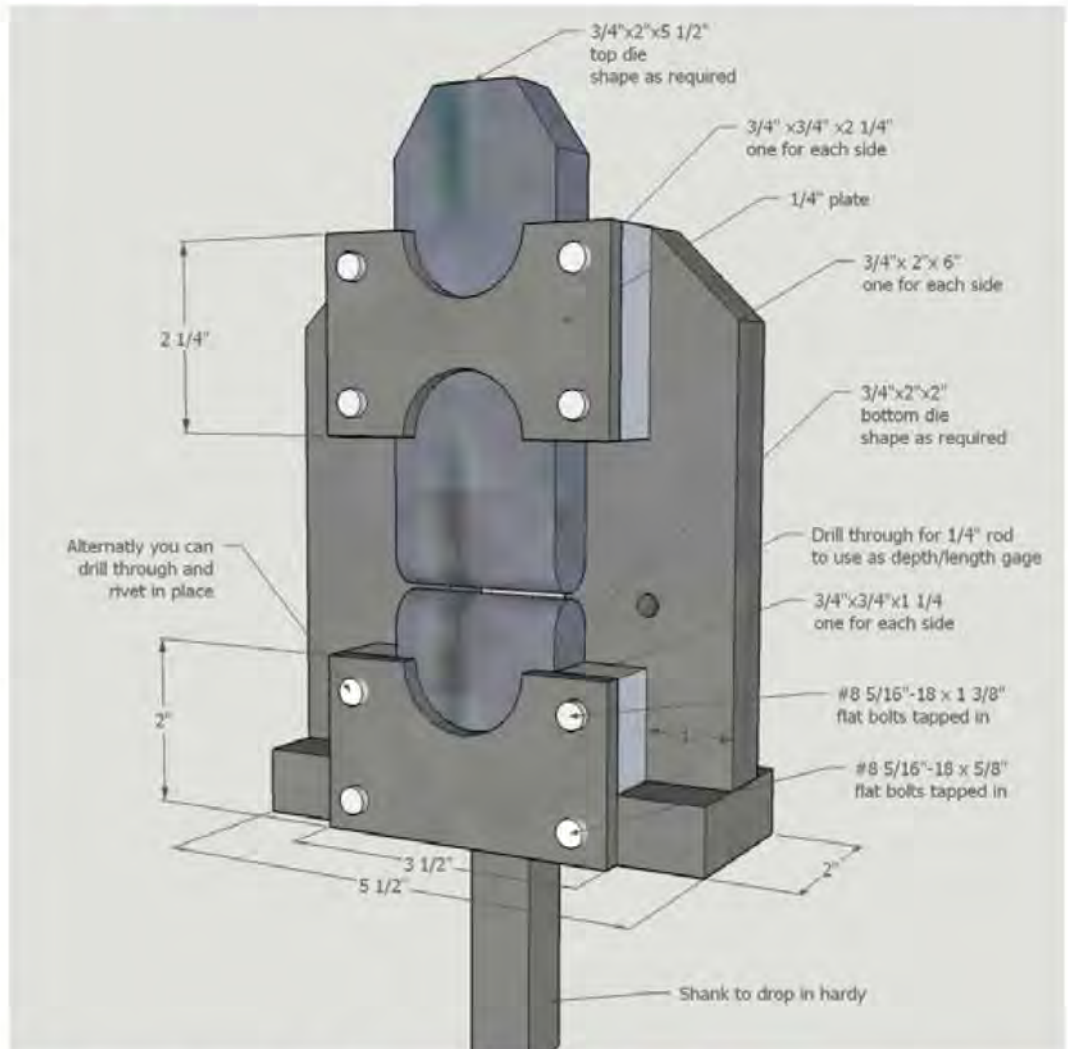
However the level of complexity and the time required for the build might put you off. Perhaps welding and rivets are better than bolts?

Bill Epps offers a variation on the guillotine tool that is much simpler to build. It can be made from regular old mild steel, but that would not last as long as a good lawn mower blade or leaf spring.

If you do use mild steel be sure your work is at least red HOT and then keep a spray bottle of water handy to spritz the tool between uses.

Below are two variations of the Bill Epps Style guillotine tool.

Having the top bar a bit long (bottom left picture) allows you to lift the top with your hammer as you put the work in with the other hand.



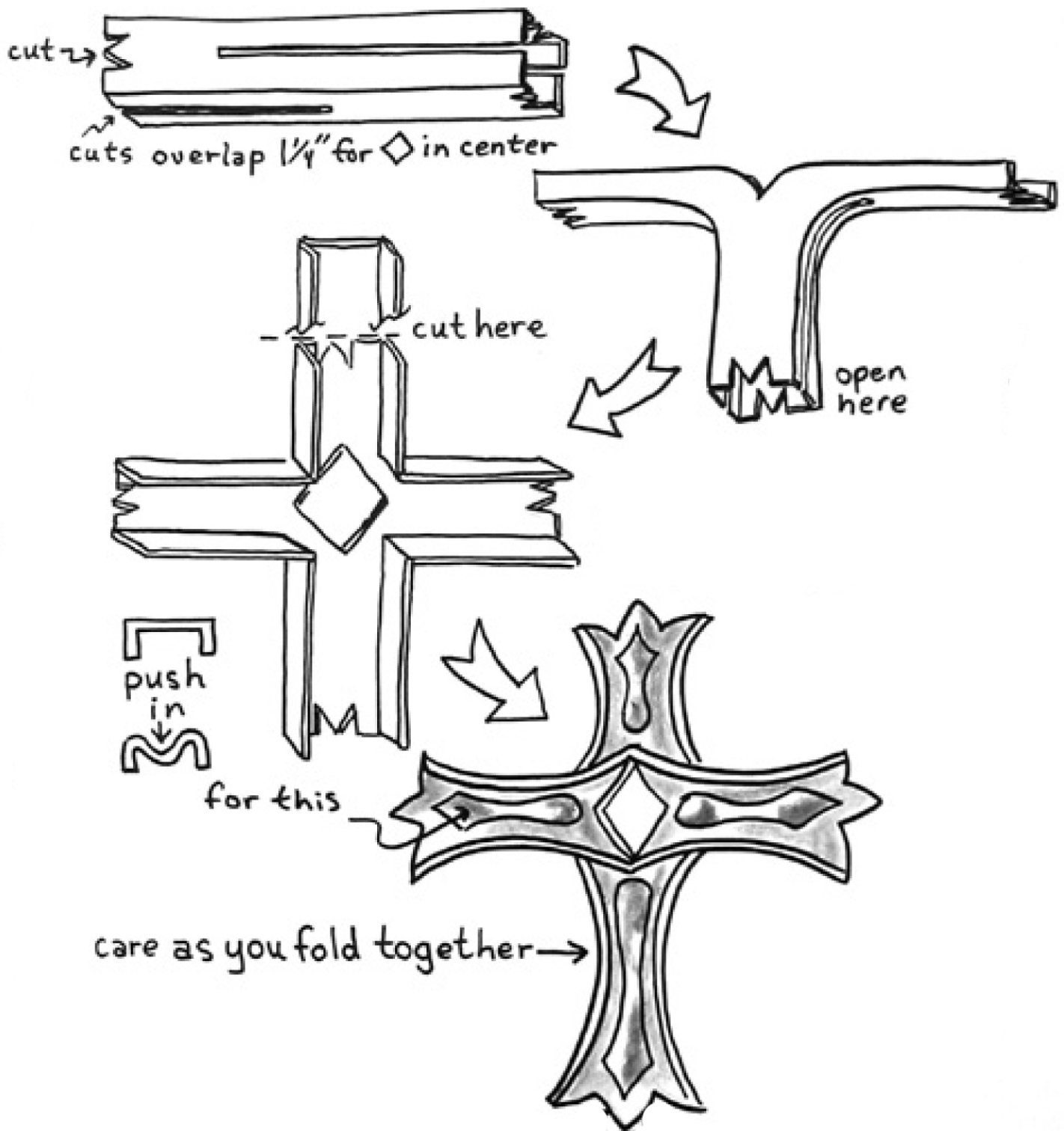
# The Blacksmiths' Commandments

CLINKER BREAKER July 2022

- 1** Thou shall not smite thine iron when it has lost its glow.
- 2** Thou shall not smite thy hammer upon thine anvil,  
lest the shrapnel gods invade thy crotch.
- 3** Thou shall keep thy slack tub clean,  
lest the vermin of illness and stench of hell invade thy body.
- 4** Thou shall remove the hardie when its task is complete,  
lest thee and thy digits part company.
- 5** Thou shall not cool thy work on the floor where upon thou treadest,  
lest thou ignite thy boots.
- 6** Thou shall put away thy store-bought tongs,  
lest the other smiths covet them and make merry at thy expense.
- 7** Thou shall not run thy gasses over pressure,  
lest thou reach out and touch the face of god.
- 8** Secure thy anvil well to the stump,  
lest in thy latter days thou shalt be unable to hear thy loved ones.
- 9** Refrain from placing thy digits between the dies of thy power hammer,  
that thou mayest keep them even until the end of thy days.
- 10** Keep thy bellows and thy blower in working condition,  
for thou knowest that power doeth upon occasion fail.
- 11** Thou shall not baptize thy S7 in Super Quench,  
lest the fruits of thy labor be lost.
- 12** Thy safety glasses may appear humorous to other smiths,  
but thee will keep thine eyes and they may not.

# Hollow Steel Cruciform by Jim Keith

hollow steel tubing cruciform



**Pennsylvania Artist-Blacksmiths' Association**

# **BLACKSMITH DAY**



**at Old Dry Road Farm**

**202 Highland Road  
Wernersville, PA**

**Saturday, August 1<sup>st</sup>**

**9 AM - 4 PM**

**Free Admission**

**BLACKSMITH DEMONSTRATIONS  
THROUGHOUT THE DAY**

**Bring yourself and the family for a fun experience.**

**ADULTS AND CHILDREN ARE WELCOME TO TRY HAMMERING.**

**PABA MEMBERS WILL BE ON HAND TO GUIDE YOU.**

**Kids will get to "forge" safely using clay or copper with real hammers  
but no heat or fire.**

**THERE WILL BE A FOOD TRUCK FOR MEALS AND SNACKS.**

**PABA WILL HAVE A FORGING CONTEST IF TIME ALLOWS.**

**ENJOY THE GROUNDS OF THIS NATIONAL HISTORIC SITE NEAR BLUE MARSH LAKE.**

**Tailgating & Public Sales in the designated area near the barn.  
\$20 table vendor fee for public sales payable to Old Dry Road Farm**

**Visit us on Facebook for more information.**



## Member Offered Blacksmithing Classes

**Allen Schaeffer • Furnace Creek Forge • Beginner Blacksmithing Classes** • Learn the basics one on one  
484.651.9402 • [www.FurnaceCreekForge.com](http://www.FurnaceCreekForge.com)

**Dave Fisher • Blacksmith Classes** • Fisher Forge • 572 Saint Michaels Rd. Hamburg, PA 19526  
610-504-8060 • [fforge@early.com](mailto:fforge@early.com) - **Classes w/Dave Fisher through the Hamburg Area Arts Alliance**  
610-562-3106 [hamburgarts@verizon.net](mailto:hamburgarts@verizon.net) - \$190 (4 classes)

**Derick Kemper • Damsely Forge** • Phone - 410-937-4244 • Email - [Damselyforge@gmail.com](mailto:Damselyforge@gmail.com)  
<https://www.damselyforge.com/blacksmith-classes>

**Drunken Smithy • Blacksmithing Classes** • 2236 Lebanon Valley Mall • Lebanon, Pennsylvania 17042  
(717) 833-4105 • [forge@drunkensmithy.com](mailto:forge@drunkensmithy.com)

**Martha Moore Westbrook • Jewelry & Metalsmithing Classes** • [caersidi@earthlink.net](mailto:caersidi@earthlink.net) • 610-730-6216  
*Goggleworks Center for the Arts, Reading PA:* [www.goggleworks.org](http://www.goggleworks.org)  
*The Baum School of Art, Allentown, PA:* [www.baumschool.org](http://www.baumschool.org)

## Regional Blacksmithing Classes

**Adirondack Folk School** - [www.adirondackfolkschool.org](http://www.adirondackfolkschool.org) • P.O. Box 2 • Lake Luzerne • NY 12846 • 518-696-2400

**Appalachian Center for Craft** - 1560 Craft Center Drive • Smithville, TN 37166 • 931-372-3051 or 615-597-6801  
[www.tntech.edu/craftcenter/workshops/](http://www.tntech.edu/craftcenter/workshops/)

**Augusta Heritage Center** - [augustaartsandculture.org](http://augustaartsandculture.org) • 100 Campus Drive • Elkins, WV 26241 • 304-637-1287

**Blacksmith Guild of Central Maryland - Carroll County Farm Museum** • Westminster, MD • 410-386-3881 or Karen -  
[kjsjones@carrollcountymd.gov](mailto:kjsjones@carrollcountymd.gov) • <https://www.bgcmonline.org/classes>

**Bryn Athyn College** - [www.brynathyn.edu/department/building-arts](http://www.brynathyn.edu/department/building-arts) • 2945 College Drive • Bryn Athyn, PA 19009  
267-502-6000 • [jkline@brynathyn.edu](mailto:jkline@brynathyn.edu)

**Cedar Lakes** - <http://www.cedarlakes.com/craft-workshops/> • HC 88, Box 21 • Ripley, WV 25271 • 304-372-7873

**Center for Metal Arts** - [www.centerformetalarts.com](http://www.centerformetalarts.com) • 106 Iron St • Johnstown, PA 15906 • 814.418.0409

**Clifton Forge School of the Arts** - [www.cfsota.org](http://www.cfsota.org) • 518 Church Street • Clifton Forge, VA 24422 • 540-862-7275

**Floyd Center for the Arts** - [www.floydartcenter.org](http://www.floydartcenter.org) • 220 Parkway Lane, South • Floyd, VA. 24091 • 540-745-2784

**John C. Campbell Folk School** - [www.folkschool.org](http://www.folkschool.org) • 1 Folk School Rd • Brasstown, North Carolina 28902  
1.800.FOLK.SCH (365.5724)

**Ms Caitlin's School** - 26 West All Saints St. - Frederick, MD 21701 - [www.mscaitlinsschool.com](http://www.mscaitlinsschool.com)  
301-246-2248 - to schedule an appointment - [Info@mscaitlinsschool.com](mailto:Info@mscaitlinsschool.com)

**National Ornamental Metal Museum** - [www.metalmuseum.org](http://www.metalmuseum.org) • 374 Metal Museum Drive • Memphis, TN 38106  
901-774-6380 or 1-877-881-2326 • [info@metalmuseum.org](mailto:info@metalmuseum.org)

**New England School of Metalwork** - [www.newenglandschoolofmetalwork.com](http://www.newenglandschoolofmetalwork.com) • 7 Albiston Way • Auburn, Maine 04210  
207-777-6211 Toll Free 888-753-7502 • [dglaser@newenglandschoolofmetalwork.com](mailto:dglaser@newenglandschoolofmetalwork.com)

**Peters Valley Craft Center** - [www.petersvalley.org](http://www.petersvalley.org) • 19 Kuhn Road • Layton, NJ 07851 • 973-948-5200

**Penland School of Craft** - [penland.org](http://penland.org) - 2687 Conley Ridge Road, Bakersville, NC 28705 - 828-765-2359 - [info@penland.org](mailto:info@penland.org)

**Randy McDaniel, Classes**, author of "A Blacksmithing Primer" • 1044 Spielman Road, Berkeley Springs, WV 25411  
[rams4g@msn.com](mailto:rams4g@msn.com) - [www.blacksmithschoolwv.com](http://www.blacksmithschoolwv.com)

**Rochester ARC + Flame Center** - [www.rocafc.com](http://www.rocafc.com) • 125 Fed Ex Way • Rochester, NY 14624 • 585-349-7110

**Touchstone Center for Crafts** - 1049 Wharton Furnace Rd • Farmington, PA 15437 • 724-329-1370 or 800-721-0177  
[www.touchstonecrafts.org/workshops](http://www.touchstonecrafts.org/workshops) • [info@touchstonecrafts.org](mailto:info@touchstonecrafts.org) **50th Year Special Events!**

**Virginia Institute of Blacksmithing** - 200 West Twelfth St. • Waynesboro, VA 22980 • 434-960-9718 • [www.vablacksmithing.org](http://www.vablacksmithing.org)

## CLASSIFIEDS

**Eggerling Damascus** - Specializing in Mosaic Blade & Bolster Material  
Robert Eggerling 610-682-6836 - [www.eggerlingdamascus.com](http://www.eggerlingdamascus.com)

**Andrew Reist - Oak Lawn Blacksmith Shop**

717-925-9310 - [oaklawnblacksmith@gmail.com](mailto:oaklawnblacksmith@gmail.com) - Anvils, Swage blocks and other Blacksmith tools.  
<https://www.etsy.com/shop/OakLawnBlacksmithUS> or <https://www.facebook.com/OakLawnBlacksmith/>

## SUPPLIERS

**Reese's Coal**- Blacksmithing Coal - 53 Church Road - Quarryville, PA 17566 - 717-786-3375 (please call for hours)

**Elligson Trucking** - Freeland, MD 21053 - Blacksmithing coal - 410-357-5720 - <https://elligsontrucking.com/index.html>

**Martin's Ag Service** - Blacksmith Coal - 717.354.4996 - 338 Grist Mill Rd, New Holland, Pa -

**Coopersburg Bagging** - 551 Springfield Street, Coopersburg, PA - 610.282.2376. Normally sells coal by the ton, but sometimes has less than ton lots in 50# bags.

**Fisher Coal Co.** - English Center, PA - 570-337-5764 - Blacksmith coal sales

**Mellinger Elvin E. & Sons** - Blacksmith Coal - 117 Long Lane, Lancaster, PA 17603 - 717-464-3822

**Reifsniders Ag Center** - 7180 Bernville Rd Bernville, PA - 610-488-0667 - Blacksmithing coal

**Weaverland Valley Coal** - 170 Ranks Church Rd, New Holland, PA 17557 - 717-4454488

**Blacksmithing Books** - Blue Moon Press - Blue Moon Rd, Huntingdon, PA 16652 - 866-627-6922 - [www.bluemoonpress.org](http://www.bluemoonpress.org)

**Metalworking Books** - The Astragal Press - 5 Cold Hill Road - Mendham, NJ 07945 - 973-543-3045 - [www.AstragalPress.com](http://www.AstragalPress.com)

**Kayne & Son Custom Hardware, Inc. - Blacksmiths Depot** - 100 Daniel Ridge Rd. Candler NC 28715 - (828) 667-8868 - [www.blacksmithsdepot.com](http://www.blacksmithsdepot.com)

**GTS Gas** - Gas & Welding Supplies - [gtsgas.com](http://gtsgas.com)- locations all over PA and the country - 1-800-942-1148

**KEEN Compressed Gas Co.** - Welding supplies & equipment. - Wilmington, DE - 800-533-6427 - [www.keengas.com](http://www.keengas.com)

**SAHD Metal Recycling & Sales** - [www.recycleyourmetal.com](http://www.recycleyourmetal.com)  
1045 Lancaster Avenue, Columbia, PA 17512 - 717-684-8506 - [dan@recycleyourmetal.com](mailto:dan@recycleyourmetal.com)

**Steel and Metal Liquidators LLC**, - [www.shopmetal.com](http://www.shopmetal.com) - 407 Old Airport Rd. - New Castle, DE 19720 - 302-322-9960 & 1584 Bunting Street - Pottsville, PA 17901- 570-391-0141

**Rivets** - Various sizes and metals, also screws and other fasteners. R. J. Leahy Company, 1475 Yosemite Avenue, San Fransico, CA 94124 - [www.rjleahy.com](http://www.rjleahy.com) • Phone 1-800-514-4106

**Larry Zoeller** - Forge building info and Supplies. Phone: 502 439-0812 - Zoeller Forge, 7509 Geswein Rd., Lanesville, IN 47136  
[zman59@earthlink.net](mailto:zman59@earthlink.net) - <http://zoellerforge.com>

**Custom Forge Aprons** - [FORGE-APRONS.com](http://FORGE-APRONS.com) - (575) 313-4650 - 1373 S. Powell Dr., Kanab, UT 84741

**Page Belting Company** - 104 High Street - Boscawen, NH 03303 - [www.pagebelting.com](http://www.pagebelting.com) - leather belting and gaskets

**Brown Engineering Co.** - 2135 North 13th Street, Reading, PA 19604 - [brownengco.com](http://brownengco.com) - 610-929-0909 - Distributer of mechanical parts, lubricants and supplies.

**Cattail Foundry** - 167 W. Cattail Road Gordonville, PA 17529 - Amish owned metal foundry. Produces castings from nearly any pattern or part you supply.

**PENNSYLVANIA**



1370 New Danville Pike  
Lancaster, PA 17603

## 2026 Dues - \$30 per year.

*PABA Membership is good for the household you don't need one for each person.*

*Thanks to the following for  
their contribution or assistance  
to the Striker.*

Brad Gray  
Randy Barlip  
Paul Huf  
Rick Cooper

*I apologize if anyone was missed,  
it was not my intention.*

[www.paba-site.org](http://www.paba-site.org)



PABA-PA-Artist-  
Blacksmiths-Association

### PABA Membership Application 2026 (Jan. 1 - Dec. 31) \$30

Name \_\_\_\_\_

Address \_\_\_\_\_

City \_\_\_\_\_ State \_\_\_\_\_ Zip \_\_\_\_\_

Telephone # \_\_\_\_\_ E-mail \_\_\_\_\_

*Do you have any particular skills (welder, accountant, carpenter, doctor) that may be helpful to the group or membership?* \_\_\_\_\_

Please circle your skill level... Beginner Intermediate Advanced Professional

**PayPal option - Pabapaypal@gmail.com**

**Make Checks payable to PABA. Send completed application and \$30 (one year) to: Lenka Votrubova - 1023 Old Penfield Rd, Clearfield, PA 16830**

#### PABA USE

Cash \_\_\_\_\_ Check # \_\_\_\_\_ PayPal \_\_\_\_\_

**New Member \$30** \_\_\_\_\_ **New Member after June** \_\_\_\_\_ **Renewal \$30** \_\_\_\_\_

June-Dec. price \$15 \_\_\_\_\_ 2026